

1.7 ProMinent® Duodos Air Operated Diaphragm Pump

Air-Operated Diaphragm Pump Duodos

- Duodos pumps are air-driven double diaphragm transfer pumps. No electrical components are required.
- Capacity range up to 12,000 l/h, discharge lift up to 70 m WC

Air-operated Diaphragm Pump Duodos for pumping liquid media.

The pump capacity of the pump can be controlled by changing the pressure in the air supply. The air control is designed for oil-free operation. Duodos pumps are ideally suited for the transport of liquid chemicals. Duodos pumps transport media at up to 12,000 l/h and up to a discharge lift of 70 m. As the pump capacity is highly dependent on the back pressure, the performance curve must always be observed. At the same time, the differential pressure between the hydraulic and pneumatic sides should not exceed 2 bar. Higher values reduce the service life of the pump. When selecting pumps, check the material compatibility. In addition, consider the density, viscosity and temperature of the transported medium.

Your benefits

- No electrical components are required because the pumps are air-operated
- Duodos pumps are run-dry safe and self-priming

Technical Details

- Maximum air pressure 7 bar
- The air control is designed for oil-free operation
- If the back pressure is greater than the air pressure in the pump, the pump remains stationary

Field of application

- Pumping of liquid chemicals

The following materials are available:

- PP pump chambers with Santoprene® diaphragms and valves
- PVDF pump chambers with PTFE diaphragms and valves



Duodos PP

	Housing material	Diaphragms/ valves	Delivery rate (2 bar differential pressure) l/h	Part No.
Duodos 20 PPS	PP	Santoprene®	0...1,200	1103381
Duodos 50 PPS	PP	Santoprene®	0...3,000	1103384
Duodos 100 PPS	PP	Santoprene®	0...6,000	1103383
Duodos 200 PPS	PP	Santoprene®	0...12,000 1	103377

Duodos PVDF

	Housing material	Diaphragms/ valves	Delivery rate (2 bar differential pressure) l/h	Part No.
Duodos 20 PVT	PVDF	PTFE	0...1,200	1103378
Duodos 50 PVT	PVDF	PTFE	0...3,000	1103382
Duodos 100 PVT	PVDF	PTFE	0...6,000	1103379
Duodos 200 PVT	PVDF	PTFE	0...12,000	1103380

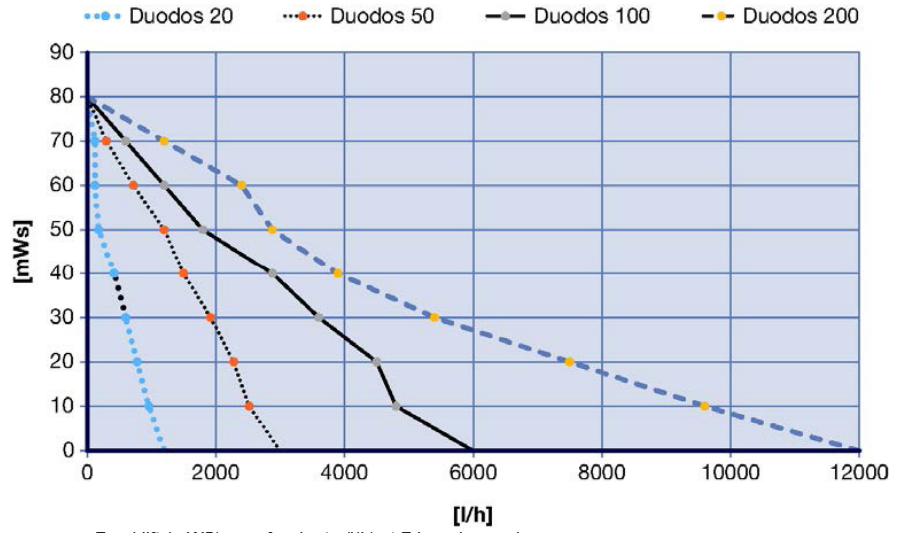
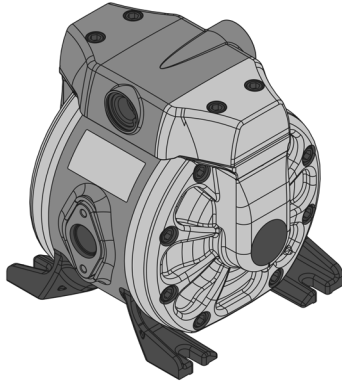
Parameters For Use

	Min. temperature °C	Max. temperature °C	Max. viscosity mPas
Duodos 100 PPS	10	80	200
Duodos 100 PVT	-13	93	200
Duodos 20 PPS	10	80	200
Duodos 20 PVT	-13	93	200
Duodos 200 PPS	10	80	200
Duodos 200 PVT	-13	93	200
Duodos 50 PPS	10	80	200
Duodos 50 PVT	-13	93	200



1.7 ProMinent® Duodos Air Operated Diaphragm Pump

Duodos Spare Parts



Spare part kits for pneumatics comprising

- Seals
- O-rings
- Clamp collars
- Air control valve

	Part No.
Spare parts kit, pneumatics for Duodos 20 PPS	1103386
Spare parts kit, pneumatics for Duodos 50 PPS	1103387
Spare parts kit, pneumatics for Duodos 100 PPS	1103388
Spare parts kit, pneumatics for Duodos 200 PPS	1103389
Spare parts kit, pneumatics for Duodos 20 PVDF	1103398
Spare parts kit, pneumatics for Duodos 50 PVDF	1103399
Spare parts kit, pneumatics for Duodos 100 PVDF	11033400
Spare parts kit, pneumatics for Duodos 200 PVDF	11033401

Spare part kits for the liquid end comprising

- Diaphragms
- Valve balls
- Seals

	Part No.
Spare parts kit, liquid end for Duodos 20 PPS	1103391
Spare parts kit, liquid end for Duodos 50 PPS	1103390
Spare parts kit, liquid end for Duodos 100 PPS	1103393
Spare parts kit, liquid end for Duodos 200 PPS	1103392
Spare parts kit, liquid end for Duodos 20 PVT	1103394
Spare parts kit, liquid end for Duodos 50 PVT	1103396
Spare parts kit, liquid end for Duodos 100 PVT	1103395
Spare parts kit, liquid end for Duodos 200 PVT	1103397

