

# 1.6 von TAINÉ® Pumps

## von TAINÉ® Magnetically Coupled Centrifugal Pumps

### Metering pumps for liquid media

von TAINÉ® pumps are magnetically coupled centrifugal pumps. Thanks to the magnetic coupling, the pumps transport the liquid media leak-free from container to container or from a container into a discharge line.

The von TAINÉ® centrifugal pumps deliver media up to 22,500 l/hr and up to a delivery height of 23.5 metres. Because the capacity heavily depends on the backpressure, the delivery characteristic must be absolutely observed.

When selecting the pumps, the material compatibility is to be checked and density, viscosity, solid fraction, and temperature of the delivered medium are to be considered. The pump is not self-priming and requires a flooded suction.

The following material types are available for most models:

- Pump head: PP or PVDF
- Seals: FPM or EPDM

The bearings of the pumps are made of "oxide ceramics" and may not run dry.

The pump is to be protected against running dry. The hydraulic connections are equipped with pipe threads according to DIN ISO 228-1 (internal and external thread cylindrical).



### ProMinent® vonTAINÉ

Description	l/h	m	Model	kw	Phase	Suction Discharge	Part No.
Centrifugal pump von TAINÉ	1,800	4.5	0502PP/FPM	0.06	1	1-1/4" - 1"	P1023089
Centrifugal pump von TAINÉ	6,600	7.9	0807 PP/FMP	0.25	3	1-1/4" - 1-1/4"	P1023090
Centrifugal pump von TAINÉ	9,600	10.0	1010 PP/FPM	0.37	3	2" - 1-1/2"	P1023091
Centrifugal pump von TAINÉ	13,200	13.2	1313 PP/FPM	0.65	3	2" - 1-1/2"	P1023092
Centrifugal pump von TAINÉ	19,500	18.1	1820 PP/FPM	1.10	3	2-1/4" - 2"	P1023093
Centrifugal pump von TAINÉ	22,500	23.5	2323 PP/FPM	1.50	3	2-1/4" - 2"	P1023094
Centrifugal pump von TAINÉ	1,800	4.5	0502 PVDF/FPM	0.06	1	1-1/4" - 1"	P1023095
Centrifugal pump von TAINÉ	6,600	7.9	0807 PVDF/FPM	0.25	3	1-1/4" - 1-1/4"	P1023096
Centrifugal pump von TAINÉ	9,600	10.0	1010 PVDF/FPM	0.37	3	2" - 1-1/2"	P1023097
Centrifugal pump von TAINÉ	13,200	13.2	1313 PVDF/FPM	0.65	3	2" - 1-1/2"	P1023098
Centrifugal pump von TAINÉ	19,500	18.2	1820 PVDF/FPM	1.10	3	2-1/4" - 2"	P1023099
Centrifugal pump von TAINÉ	22,500	23.5	2323 PVDF/FPM	1.50	3	2-1/4" - 2"	P1023100
Centrifugal pump von TAINÉ	1,800	4.5	0502PP/EPDM	0.06	1	1-1/4" - 1"	P1028551
Centrifugal pump von TAINÉ	6,600	7.9	0807 PP/EPDM	0.25	3	1-1/4" - 1-1/4"	P1028552
Centrifugal pump von TAINÉ	9,600	10.0	1010 PP/EPDM	0.37	3	2" - 1-1/2"	P1028553
Centrifugal pump von TAINÉ	13,200	13.2	1313 PP/EPDM	0.65	3	2" - 1-1/2"	P1028564
■ Centrifugal pump von TAINÉ	19,500	18.1	1820 PP/EPDM	1.10	3	2-1/4" - 2"	omitted
Centrifugal pump von TAINÉ	22,500	23.5	2323 PP/EPDM	1.50	3	2-1/4" - 2"	P1028566
Centrifugal pump von TAINÉ	1,800	4.5	0502 PVDF/EPDM	0.06	1	1-1/4" - 1"	P1028567
Centrifugal pump von TAINÉ	6,600	7.9	0807 PVDF/EPDM	0.25	3	1-1/4" - 1-1/4"	P1028568
Centrifugal pump von TAINÉ	9,600	10.0	1010 PVDF/EPDM	0.37	3	2" - 1-1/2"	P1028569
■ Centrifugal pump von TAINÉ	13,200	13.2	1313 PVDF/EPDM	0.65	3	2" - 1-1/2"	omitted
■ Centrifugal pump von TAINÉ	19,500	18.2	1820 PVDF/EPDM	1.10	3	2-1/4" - 2"	omitted
Centrifugal pump von TAINÉ	22,500	23.5	2323 PVDF/EPDM	1.50	3	2-1/4" - 2"	P1028572

**Note:** l/h is Feed rate at Minimum Pressure  
m is Feed Lift Maximum

■ MODELS SHOWN AS 'OMITTED' ARE NO LONGER AVAILABLE FROM THE FACTORY.

### Electrical details:

Model 0502 = 50/1/240 all other models 3/50/400

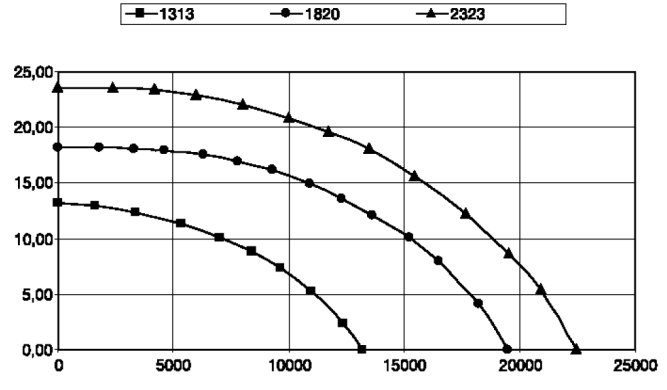
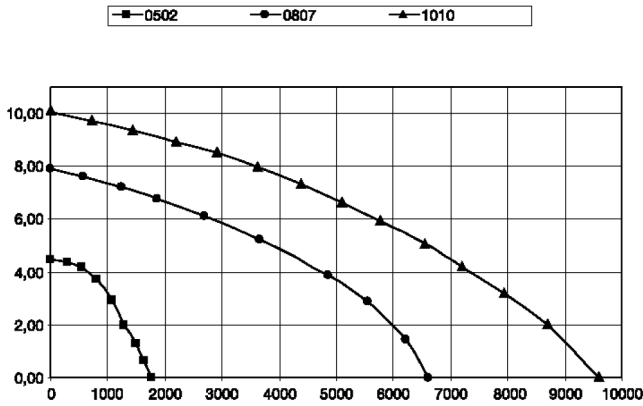
Protection: IP55

www.prominentfluid.com.au



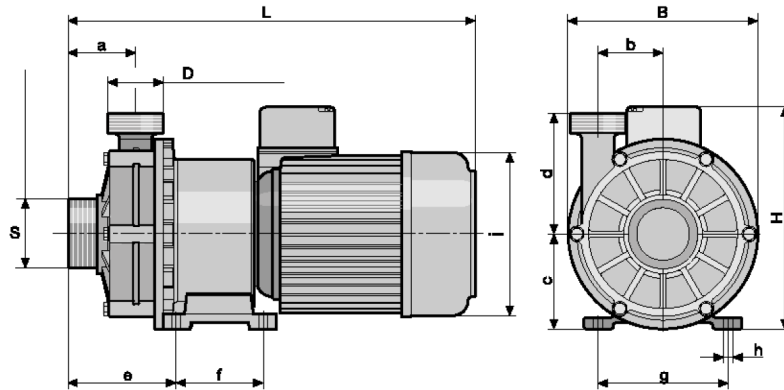
# 1.6 ProMinent® von TAINE® Pumps

von TAINE® Magnetically Coupled Centrifugal Pumps



Litres/Hr  
Delivered quantity (l/h) as a function of delivery head (mWC)

## Dimensions



		von Taine® 0502 PVDF	von Taine® 0807 PVDF	von Taine® 1010 PVDF	von Taine® 1313 PVDF	von Taine® 1820 PVDF	von Taine® 2323 PVDF
<b>Discharge connector (D)</b>		G 1"	G 1 1/4"	G 1 1/2"	G 1 1/2"	G 2"	G 2"
<b>Suction connector (S)</b>		G 1 1/4"	G 1 1/4"	G 2"	G 2"	G 2 1/4"	G 2 1/4"
<b>L</b>	mm	240	283	320	350	430	430
<b>B</b>	mm	120	138	163	163	205	205
<b>H</b>	mm	145	185	191	191	227	227
<b>a</b>	mm	37.0	45.0	58.5	58.5	70.0	70.0
<b>b</b>	mm	29.5	29.5	56.0	56.0	70.0	70.0
<b>c</b>	mm	60.0	70.0	82.0	82.0	104.5	104.5
<b>d</b>	mm	65.5	86.0	104.0	104.0	134.5	134.5
<b>e</b>	mm	129	50	106	106	115	115
<b>f</b>	mm	78	71	74	74	100	100
<b>g</b>	mm	91	91	114	114	130	130
<b>h</b>	mm	6.5	8.5	8.5	8.5	10.0	10.0
<b>i</b>	mm	92	135	135	135	155	155
<b>Enclosure rating</b>		IP 55	IP 55	IP 55	IP 55	IP 55	IP 55
<b>Min. flow</b>	l/h	30	60	60	60	90	120

