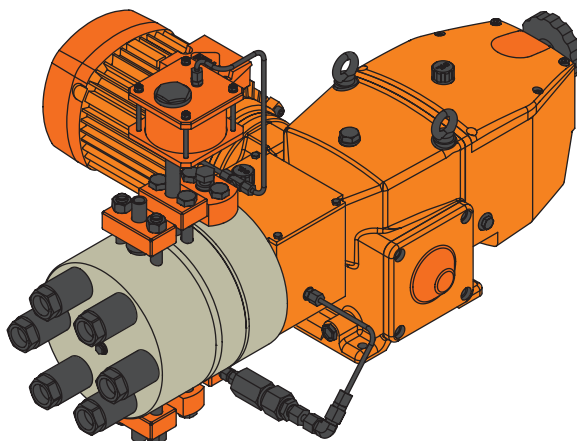


Hydraulic metal diaphragm metering pump ORLITA MHHP

Reliable capacity even at maximum pressure

Prominent®



The metal diaphragm metering pumps ORLITA MHHP are special pumps, which provide precise pump capacities even at maximum pressures of up to 3000#bar.

Technical Data

- MSHS: Stroke length: 0–40mm, rod force: 40,000N
- MHRH: Stroke length: 0 – 32mm, Rod force: 15,000N
- Stroke length adjustment range: 0 – 100% in operation and idle
- Stroke length adjustment: manually by means of a manual adjustment wheel and scaled display (optionally with electric actuator or control drive)
- Metering reproducibility is better than $\pm 0.5\%$ within the 10 – 100% stroke length range under defined conditions and with correct installation
- Metal diaphragm
- Integrated hydraulic relief and bleed valve
- Wetted materials: Stainless steel, special designs are available on request
- A wide range of drive versions is available: Three-phase standard motors, motors for use in areas at risk from explosion, different flange designs for the use of customer-specific motors
- Degree of protection: IP 55
- Temperature range -10°C to $+60^{\circ}\text{C}$



Hydraulic metal diaphragm metering pump ORLITA MHHP

Reliable capacity even at maximum pressure

Prominent®

Technical Data

Pump type	Plunger Ø	Theor. stroke volume	Max. capacity (theo.) in l/h at strokes/min (50#Hz)				Max. pressure
			58	87	116	145	
	mm	ml/stroke	l/h	l/h	l/h	l/h	bar
MHRH 150/	7	1.23	4.2	6.4	8.5	10.7	3,000

■ SYDNEY OFFICE

Unit 4, 4 Narabang Way,
BELROSE NSW 2085
P 02 9450 0995
F 02 9450 0996
sales@prominentfluid.com.au

■ QUEENSLAND OFFICE

Unit 1, 68 Murdoch Circuit,
ACACIA RIDGE QLD 4110
P 07 3213 1900
F 07 3272 0445
pfcqld@prominentfluid.com.au

■ VICTORIA OFFICE

Unit 1/21-22 National Drive
HALLAM VIC 3803
P 03 8795 7430
F 03 8975 7431
pfcvic@prominentfluid.com.au

■ WESTERN AUSTRALIA OFFICE

2/158 Francisco Street
BELMONT WA 6104
pfcwa@prominentfluid.com.au

www.prominentfluid.com.au