

# 3.1 Accessories for ProMinent® Beta, Gamma, Delta, Concept and Pneumados - Foot Valves

## 3.1 Accessories - Foot Valves

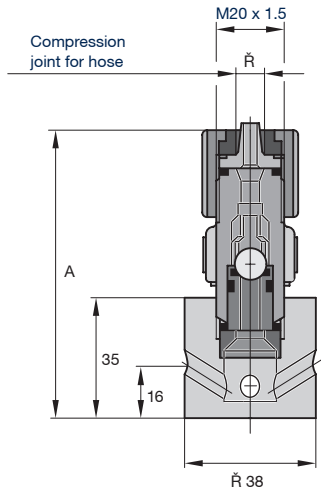


Fig.1  
pk\_1\_038

### Description/version

### Part no. Price

For connection to the end of the suction line as suction aid and to protect the pump from contamination, with strainer and ball check. For connection diameters 6, 8, 12 and 12/6 mm with ceramic weight. The same materials are used as for the liquid ends.

### Valve body of PP, seals of EPDM

Foot valve, PP

|            |       |          | Ø      | A          |        |  |
|------------|-------|----------|--------|------------|--------|--|
| Connection | 6 mm  | for hose | 6 x 4  | 84 (Fig.1) | 924558 |  |
| Connection | 8 mm  | for hose | 8 x 5  | 84 (Fig.1) | 809468 |  |
| Connection | 12 mm | for hose | 12 x 9 | 87 (Fig.1) | 809470 |  |

### Foot valve, PP 2

Valve body of PP, seals of Viton.

|            |       |          | Ø      | A          |        |  |
|------------|-------|----------|--------|------------|--------|--|
| Connection | 6 mm  | for hose | 6 x 4  | 84 (Fig.1) | 924559 |  |
| Connection | 8 mm  | for hose | 8 x 5  | 84 (Fig.1) | 924683 |  |
| Connection | 12 mm | for hose | 12 x 9 | 87 (Fig.1) | 924684 |  |

### Foot valve, PVC

With strainer, ball check, valve body of PVC, seals of Viton.

|            |       |          | Ø      | A          |        |  |
|------------|-------|----------|--------|------------|--------|--|
| Connection | 6 mm  | for hose | 6 x 4  | 84 (Fig.1) | 924557 |  |
| Connection | 8 mm  | for hose | 8 x 5  | 84 (Fig.1) | 924562 |  |
| Connection | 12 mm | for hose | 12 x 9 | 87 (Fig.1) | 924564 |  |

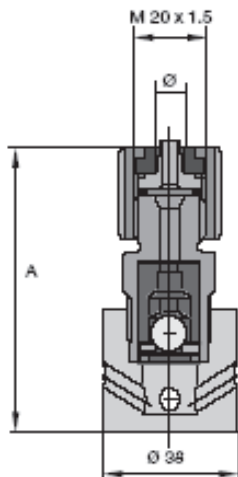


Fig.2  
pk\_1\_038

### Foot valve, PVT

With non-return valve, PVDF housing, PTFE seals, with ceramic weight.

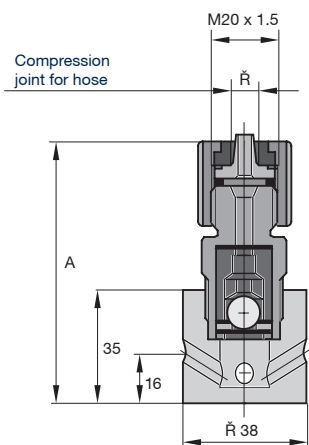
|            |       |          | Ø      | A          |         |  |
|------------|-------|----------|--------|------------|---------|--|
| Connection | 6 mm  | for hose | 6 x 4  | 79 (Fig.2) | 1024705 |  |
| Connection | 8 mm  | for hose | 8 x 5  | 79 (Fig.2) | 1024706 |  |
| Connection | 12 mm | for hose | 12 x 9 | 82 (Fig.2) | 1024707 |  |

# 3.1 Accessories for ProMinent® Beta, Gamma, Delta, Concept and Pneumados - Foot Valves

## 3.1 Accessories - Foot Valves

Description/version

Part no. Price

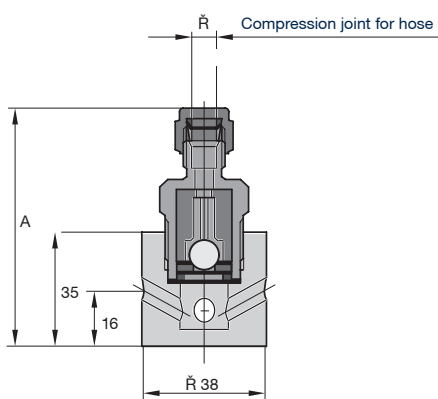


### Foot valve, PTFE

Valve body, ball check and seals of PTFE, for connection diameters 6, 8 and 12 mm with ceramic weight.

|            |                | ∅      | A               |        |
|------------|----------------|--------|-----------------|--------|
| Connection | 6 mm for hose  | 6 x 4  | 79 (Fig.2397/4) | 809455 |
| Connection | 8 mm for hose  | 8 x 5  | 79 (Fig.2397/4) | 809471 |
| Connection | 12 mm for hose | 12 x 9 | 82 (Fig.2397/4) | 809473 |

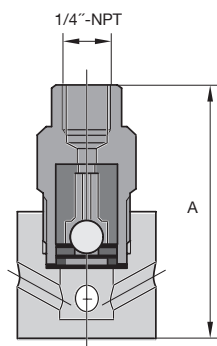
pk\_1\_040



### Foot valve, stainless steel 1.4571

With strainer and ball check, valve body of stainless steel 1.4571, seals of PTFE, For 6x4, 8x5 and 12x 9 mm hose connection a support sleeve is required (see page 3.23).

|            |                     | ∅ | A |        |
|------------|---------------------|---|---|--------|
| Connection | for 6 mm O.D. pipe  |   |   | 924568 |
| Connection | for 8 mm O.D. pipe  |   |   | 809474 |
| Connection | for 12 mm O.D. pipe |   |   | 809475 |



### Foot valve, stainless steel 1.4571

With strainer and ball check, valve body of stainless steel 1.4571, seals of PTFE, as above but with

|            |              |        |
|------------|--------------|--------|
| Connection | 1/4" BSP/F * | 803730 |
| Connection | 3/8" BSP/F   | 803731 |

\*See also 924567.

pk\_1\_031

# 3.2 Accessories ProMinent® Beta, Gamma, Delta, Concept and Pneumados Injection Valves

## 3.2 Accessories - concept, beta, gamma and pneumados Injection Valves

### Description/version

Part no. Price

For the connection of the discharge line to the point of injection. The injection valves are equipped with ball check, for PP, PVC and stainless steel versions spring-loaded with Hastelloy C spring, 0.5 bar response pressure (for connection 1/4" stainless steel spring 1.4571, response pressure approx. 1 bar), can be installed in any position.

For PTFE version without spring for vertical installation from below. Valve spring can be retrofitted. The same materials are used as for the liquid ends.

Caution: Injection valves and injection lances are not suitable as absolutely leak proof isolating elements.

### Injection valve, PP

Valve body of PP, seals of EPDM, with spring-loaded ball check, response pressure approx. 0.5 bar.

| Connection                      | Ø      | A  | Part no. | Price |
|---------------------------------|--------|----|----------|-------|
| 6 mm - 1/2" for PE/PTFE tubing  | 6 x 4  | 96 | 924681   |       |
| 8 mm - 1/2" for PE/PTFE tubing  | 8 x 5  | 96 | 809476   |       |
| 12 mm - 1/2" for PE/PTFE tubing | 12 x 9 | 99 | 809478   |       |

### Injection valve, PP 2

Valve body of PP, seals of Viton.

| Connection                      | Ø      | A  | Part no. | Price |
|---------------------------------|--------|----|----------|-------|
| 6 mm - 1/2" for PE/PTFE tubing  | 6 x 4  | 96 | 924682   |       |
| 8 mm - 1/2" for PE/PTFE tubing  | 8 x 5  | 96 | 924687   |       |
| 12 mm - 1/2" for PE/PTFE tubing | 12 x 9 | 99 | 924685   |       |

### Injection valve PP/PTFE

To prevent deposits, body of PP, mounting insert of PTFE, seals of EPDM, with ball check and Hast. C spring, response pressure approx. 0.5 bar.

| Connection                      | Ø      | A   | Part no. | Price |
|---------------------------------|--------|-----|----------|-------|
| 6 mm - 1/2" for PE/PTFE tubing  | 6 x 4  | 103 | 924588   |       |
| 8 mm - 1/2" for PE/PTFE tubing  | 8 x 5  | 103 | 924589   |       |
| 12 mm - 1/2" for PE/PTFE tubing | 12 x 9 | 106 | 924590   |       |

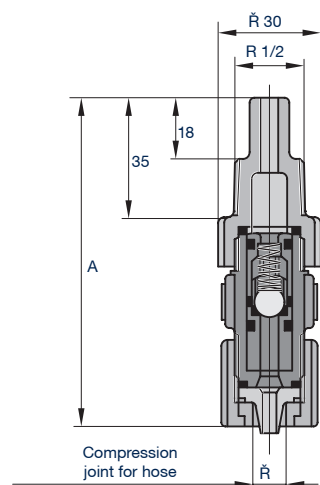
### Injection valve, PVC

| Connection                      | Ø         | A  | Part no. | Price |
|---------------------------------|-----------|----|----------|-------|
| 6 mm - 1/2" for PE/PTFE tubing  | 6 x 4 mm  | 96 | 924680   |       |
| 8 mm - 1/2" for PE/PTFE tubing  | 8 x 5 mm  | 96 | 924592   |       |
| 12 mm - 1/2" for PE/PTFE tubing | 12 x 9 mm | 99 | 924594   |       |

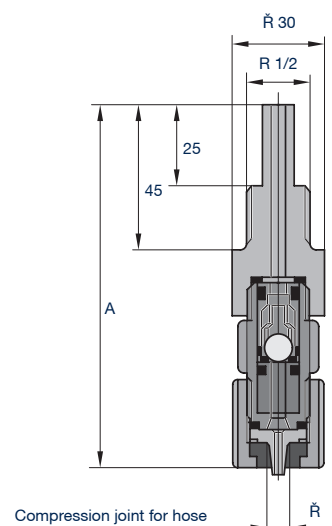
### Injection valve, PVC / PTFE (Antiscale version)

Body of PVC, PTFE with 1/2" BSPT Male tailpiece

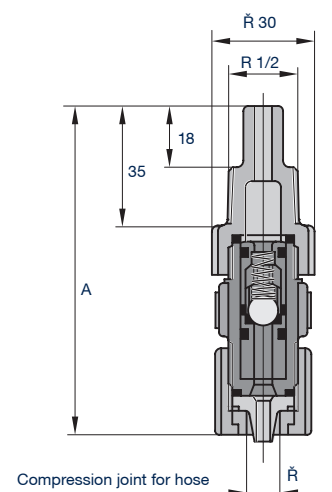
|                                 |           |        |
|---------------------------------|-----------|--------|
| 6 mm - 1/2" for PE/PTFE tubing  | 6 x 4 mm  | 924588 |
| 8 mm - 1/2" for PE/PTFE tubing  | 8 x 5 mm  | 809451 |
| 12 mm - 1/2" for PE/PTFE tubing | 12 x 9 mm | 809452 |



pk\_1\_045



pk\_1\_046



pk\_1\_045

# 3.2 Accessories ProMinent® Beta, Gamma, Delta, Concept and Pneumados Injection Valves

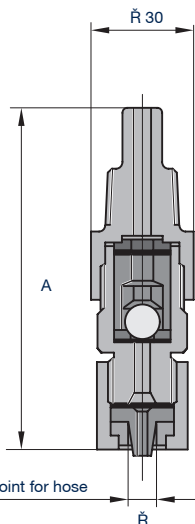
## 3.2 Accessories - gamma Injection Valves

Description/version

Part no. Price

### Injection valve PVT

PVDF housing, PTFE seals, with non-return valve, spring-loaded with Hastalloy C spring, priming pressure approx. 0.5 bar with extended threaded connection.



Compression joint for hose

pk\_1\_048

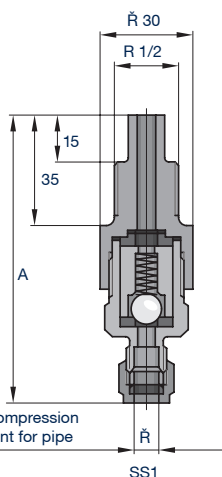
|            |         |                           | ∅      | A   |         |
|------------|---------|---------------------------|--------|-----|---------|
| Connection | 6/3 mm  | * 1/2" for PTFE pipe      | 6 x 3  | 120 | 1024713 |
| Connection | 6 mm    | - 1/2" for PE/PTFE pipe   | 6 x 4  | 120 | 1024708 |
| Connection | 8 mm    | - 1/2" for PE/PTFE pipe   | 8 x 5  | 120 | 1024710 |
| Connection | 12 mm   | - 1/2" for PE/PTFE tubing | 12 x 9 | 120 | 1024711 |
| Connection | 10/4 mm | * 1/2" for PVC hose       | 10 x 4 | 120 | 1024709 |
| Connection | 12/6 mm | * 1/2" for PVC hose       | 12 x 6 | 120 | 1024712 |

\* Not Stocked

### Injection valve PTFE

For vertical installation from below, without spring, with ball check. Valve spring can be retrofitted. Body and seals of PTFE.

|            |       |                           | ∅      | A   |                |
|------------|-------|---------------------------|--------|-----|----------------|
| Connection | 6 mm  | - 1/2" for PE/PTFE tubing | 6 x 4  | 98  | (fig.1) 809488 |
| Connection | 8 mm  | - 1/2" for PE/PTFE tubing | 8 x 5  | 98  | (fig.1) 809479 |
| Connection | 12 mm | - 1/2" for PE/PTFE tubing | 12 x 9 | 101 | (fig.1) 809481 |



Compression joint for pipe

SS1

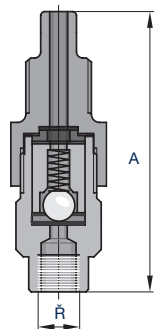
pk\_1\_032\_1

### Injection valve stainless steel

Body of 1.4571, seals of PTFE with spring-loaded ball check. Hastel. C spring with 0.5 bar response pressure; for connection 1/4" stainless steel spring 1.4571 and response pressure approx. 1 bar.

For connection of PE/PTFE tubing a ferrule is required.

| SS1        |              |          | ∅          | A  |        |
|------------|--------------|----------|------------|----|--------|
| Connection | 6 mm - 1/2"  | for pipe | 6 x 5 mm   | 93 | 809489 |
| Connection | 8 mm - 1/2"  | for pipe | 8 x 7 mm   | 93 | 809482 |
| Connection | 12 mm - 1/2" | for pipe | 12 x 10 mm | 93 | 809483 |



SS2

pk\_1\_032\_2

| SS2        |                 |          | ∅          | A  |        |
|------------|-----------------|----------|------------|----|--------|
| Connection | 1/4" NPT - 1/2" | for pipe | 12 x 10 mm | 93 | 924597 |