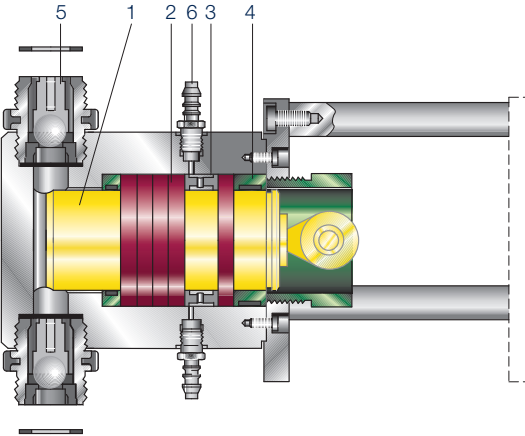
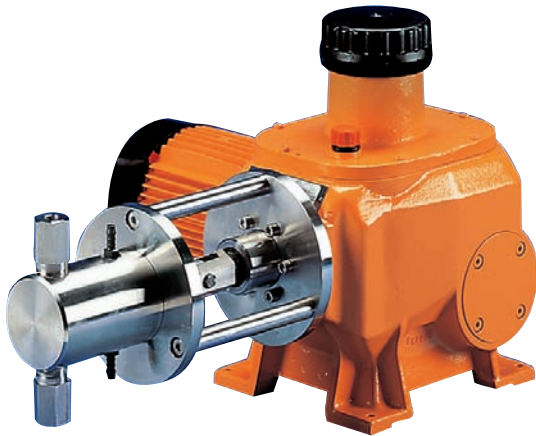


A Grand Entrance for Plunger Metering Pumps!

Motor Plunger Metering Pump Makro TZ HK/AK



Plunger delivery unit FK 40 ... FK 85

The design: 1. Plunger 2. Packing 3. Flushing ring 4. Plunger guide 5. Valves 6. Flushing port

Thanks to its modular design, the motor plunger metering pump Makro/ TZ HK/AK can be excellently matched to the requirements of the relevant application. This is achieved by several different drives, alternatively one or two liquid ends and one or several add-on pumps which can be refitted by the customer at a later stage.

Advantages

- The liquid end in the standard version is equipped with a flushing ring (3) and a special plunger guide (4). The plunger itself consists of ceramic-coated stainless steel – a noble but above all highly-resistant and low-wear material. The unit is sealed with tensible PTFE packing rings (2).
- Ball valves (5) with high-precision valve balls made of aluminium oxide (flushing port for abrasive and critical fluids) guarantee metering accuracy and stability in permanent operation.

Features

- The liquid ends and unions are made of stainless steel 1.4571/81, in special design of Hastelloy C. The valve seals consist of PTFE envelope rings.
- For highly viscous media or to generate a slight pre-pressure, additional valve springs are recommended. The maximum operating pressure is 320 bar.

QLD Office: Unit 1, 68 Murdoch Circuit
ACACIA RIDGE QLD 4110
Ph: (07) 3213 1900 Fx: (07) 3272 0445
Email: pfcqld@prominentfluid.com.au

Prominent Fluid Controls Pty Ltd
www.prominentfluid.com.au
Head Office: Unit 4, 4 Narabang Way
BELROSE NSW 2085
Ph: (02) 9450 0995 Fx: (02) 9450 0996
Email: sales@prominentfluid.com.au

VIC Office: 1/21-22 National Drive
HALLAM VIC 3803
Ph: (03) 8795 7430 Fx: (03) 8795 7431
Email: pfcvic@prominentfluid.com.au

Distributors Throughout Australia & New Zealand