

# ProFeed Dry Materials Feeder

## for Powder or Granular Products

ProFeed dry material feeders can be used for any dry product in a powder or granular form.

ProFeed is used extensively in the water treatment and food industries, however, its application is limitless to any industry where controlled feed of dry material is required.

ProFeed consists of a 316 stainless steel body within which a feed screw and conditioning auger rotate at the same speed. The diameter of the feed screw and its speed is selected to provide the required feed rate of the product. The pitch of the feed screw varies to minimize bridging and to provide even draw down of material from the feed hopper. The conditioning auger helps condition the product prior to entering the feed screw which improves accuracy and avoids bridging.

Manual capacity adjustment can be achieved simply by turning the feeder on/off or by manual adjustment of a variable speed motor.

Automation can be achieved in a variety of ways, eg: infinite variable speed control from a process signal. Pulse duration control is also an option. AC, DC or pneumatic motors can be fitted and hoppers of any size can be installed above the feeder.

The entire system can be designed and constructed to suit your specific requirements.

**Also available:**

- Manual slidegates
- Crumbler
- Solution tanks 304/316 SS with floor mounting stirrers
- Wetting assemblies ie:
  - Ultra wet** for Polymer, P.A.C. etc. with hydraulic transfer.
  - Ultra spray** for dust suppression eg: fluoride, lime etc.
- **ProLoad** bag loader (304SS) with internal bag splitter and microswitch for dust collector.
- Loss of weight recording/intergrating packages.
- Promix Polymer preparation systems with 2 or 3 tanks.
- Outlet spout heaters - to help eliminate caking of product in feeder spout.



**Prominent Fluid Controls Pty Ltd**  
[www.prominentfluid.com.au](http://www.prominentfluid.com.au)

**Head Office:** Unit 4, 4 Narabang Way  
 BELROSE NSW 2085

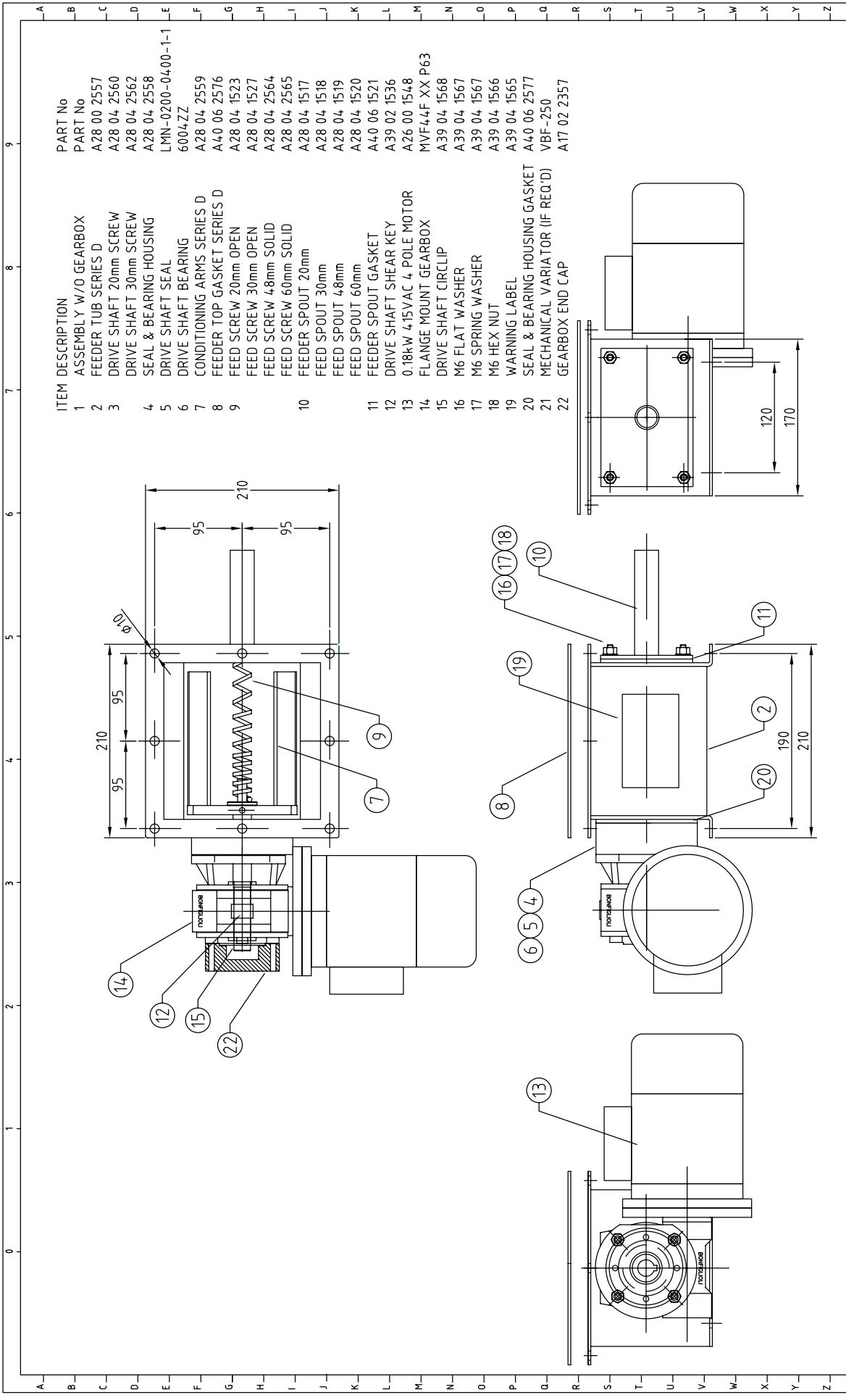
Ph: (02) 9450 0995 Fx: (02) 9450 0996  
 Email: [sales@prominentfluid.com.au](mailto:sales@prominentfluid.com.au)

**VIC Office:** 1/21-22 National Drive  
 HALLAM VIC 3803

Ph: (03) 8795 7430 Fx: (03) 8795 7431  
 Email: [pfcvic@prominentfluid.com.au](mailto:pfcvic@prominentfluid.com.au)

**QLD Office:** Unit 1, 68 Murdoch Circuit  
 ACACIA RIDGE QLD 4110  
 Ph: (07) 3213 1900 Fx: (07) 3272 0445  
 Email: [pfcqld@prominentfluid.com.au](mailto:pfcqld@prominentfluid.com.au)

Distributors Throughout Australia & New Zealand



ITEM DESCRIPTION	PART No
1 ASSEMBLY W/O GEARBOX	A28 00 2557
2 FEEDER TUB SERIES D	A28 04 2560
3 DRIVE SHAFT 20mm SCREW	A28 04 2562
4 SEAL & BEARING HOUSING	A28 04 2558
5 DRIVE SHAFT SEAL	LMIN-0200-04,00-1-1
6 DRIVE SHAFT BEARING	6004ZZ
7 CONDITIONING ARMS SERIES D	A28 04 2559
8 FEEDER TOP GASKET SERIES D	A40 06 2576
9 FEED SCREW 20mm OPEN	A28 04 1523
FEED SCREW 30mm OPEN	A28 04 1527
FEED SCREW 48mm SOLID	A28 04 2564
FEED SCREW 60mm SOLID	A28 04 2565
10 FEEDER SPOUT 20mm	A28 04 1517
FEED SPOUT 30mm	A28 04 1518
FEED SPOUT 48mm	A28 04 1519
FEED SPOUT 60mm	A28 04 1520
11 FEEDER SPOUT GASKET	A40 06 1521
12 DRIVE SHAFT SHEAR KEY	A39 02 1536
13 0.18kW 4.15VAC 4 POLE MOTOR	A26 00 1548
14 FLANGE MOUNT GEARBOX	MVF44F XX P63
15 DRIVE SHAFT CIRCLIP	A39 04 1568
16 M6 FLAT WASHER	A39 04 1567
17 M6 SPRING WASHER	A39 04 1567
18 M6 HEX NUT	A39 04 1566
19 WARNING LABEL	A39 04 1565
20 SEAL & BEARING HOUSING GASKET	A40 06 2577
21 MECHANICAL VARIATOR (IF REQ'D)	VBF-250
22 GEARBOX END CAP	A17 02 2357

REV:	DATE:	DESCRIPTION:	APPROVED:
<p>This drawing remains the property of Prominent Fluid Controls Pty Ltd. It shall not be copied in whole or in part, nor re-issued in any form to other parties without the express written approval of Prominent Fluid Controls Pty Ltd.</p>			
<p>SCALE: N.T.S. GAD. FILE NAME:</p>		<p>DRAWING PREPARED BY Prominent Fluid Controls Pty Ltd Unit 4, 4 Narabang Way BELROSE NSW 2085</p>	
<p>TOLERANCES LINEAR: ±1mm ANGULAR: ±1 DEGREE DIMENSIONAL UNLESS STATED OTHERWISE</p>		<p>DATE: 21-11-01 RDL DATE: 21-11-01 CHECKED: SCC DATE: 21-11-01 Tel (02) 9450 0995 Fax (02) 9450 0996</p>	
<p>FILES: N:\DATA\ENG\DRAWINGS\STANDARD PARTS\A28 DRY CHEMICALS</p>		<p>SHEET 1 OF 1</p>	
<p>PART DESCRIPTION</p>		<p>DRAWING NUMBER: A28 00</p>	
<p>REVISION: 0</p>		<p>PROMINENT®</p>	
<p>SERIES D DRY CHEMICAL FEEDER ASSEMBLY</p>			